



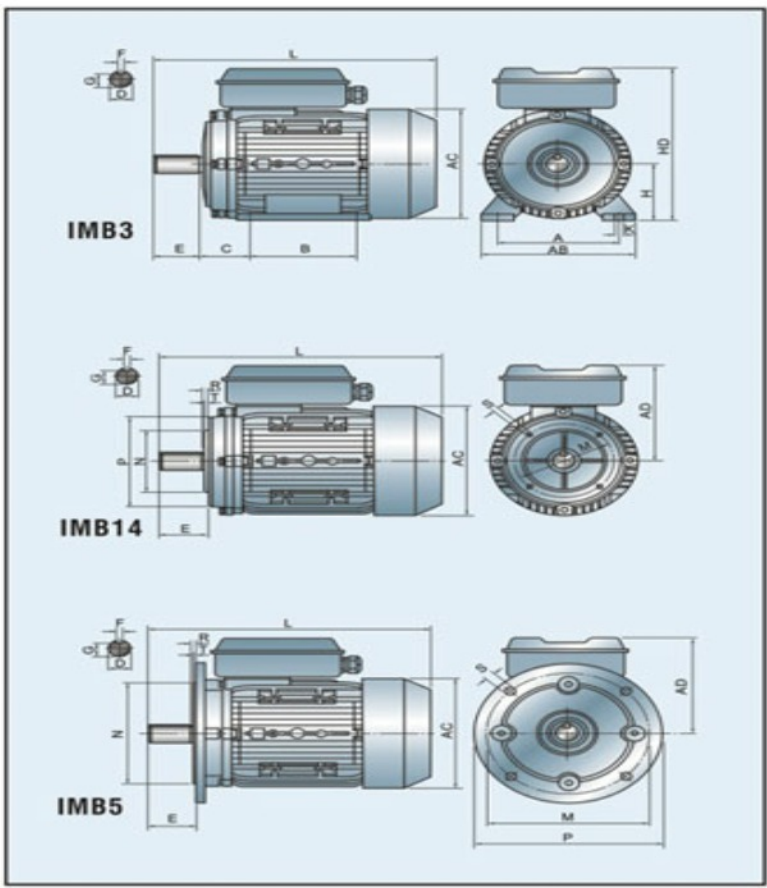
- Conform to the IEC standard
- Be made of selected quality materials, latest design in entirety.
- Good performance, low noise, little vibration, and safety and reliable operation.
- Nice appearance, light weight.
- Be maintained very conveniently, simple construction.
- Good general performance, 1.8 to 2.5 times more than the rated torque.

MOTOR FEATURES

- Utilise IP55 enclosures, others request
- Multiple feet locations
- Aluminium frame, end shields and base
- High strength cable gland
- Shaft key and protector supplied
- Superior paint finish
- Motors made to heavy duty service factors
- Can be made with stainless steel shaft
- Motors made for continuous S1 duty
- Utilise Vacuum impregnated Class B or class F insulation
- Others insulation on request
- High performance and efficiency

CUSTOMER BENEFITS

- Water dust and vermin resistant
- Quiet operation
- Electricity saving
- Easy installation (bolt on feet or brackets as required)
- Corrosion resistant
- Dependable
- Superior life
- Reliable in country, city or factory environments



TECHNICAL DATA

Model	Power (kW)	Voltage (V)	Current (A)	Speed (r.p.m.)	Eff (%)	Power factor	Tstart/Tn	Tmax/Tn	Start current (A)	Net weight (kg)
ML711-2	0.37	220	2.73	2800	67	0.92	2.3	1.8	16	7
ML712-2	0.55	220	3.88	2800	70	0.92	2.5	1.8	21	8
ML801-2	0.75	220	5.15	2800	72	0.92	2.5	1.8	30	8.5
ML802-2	1.10	220	7.02	2800	75	0.95	2.5	1.8	40	9.5
ML90S-2	1.50	220	9.44	2800	76	0.95	2.5	1.8	55	12.5
ML90L-2	2.20	220	13.67	2800	77	0.95	2.5	1.8	80	14
ML100L-2	3.00	220	18.2	2800	79	0.95	2.5	1.8	110	20.5
ML711-4	0.25	220	1.99	1400	62	0.92	2.5	1.8	12	6.9
ML712-4	0.37	220	2.81	1400	65	0.92	2.5	1.8	16	8.1
ML801-4	0.55	220	4.0	1400	68	0.92	2.5	1.8	21	8.9
ML802-4	0.75	220	5.22	1400	71	0.92	2.5	1.8	30	9.6
ML90S-4	1.10	220	7.2	1400	73	0.95	2.5	1.8	40	13
ML90L-4	1.50	220	9.57	1400	75	0.95	2.5	1.8	55	16
ML100L1-4	2.20	220	13.9	1400	76	0.95	2.5	1.8	80	23
ML100L2-4	3.00	220	18.6	1400	77	0.95	2.5	1.8	110	27

INSTALLATION DIMENSIONS

Frame Size	Mounting Dimensions (mm)																				Frame Dimensions (mm)									
											IMB14															IMB5				
	A	B	C	D	E	F	G	H	K	M	N	P	R	S	T	M	N	P	R	S	T	AB	AC	AD	HD	L				
71	112	90	45	14	30	5	11	71	7	85	70	105	0	M6	2.5	130	110	160	0	10	3.5	145	145	125	210	255				
80	125	100	50	19	40	6	15.5	80	10	100	80	120	0	M6	3.0	165	130	200	0	12	3.5	160	165	135	240	295				
90S	140	100	56	24	50	8	20	90	10	115	95	140	0	M8	3.0	165	130	200	0	12	3.5	180	185	145	270	335				
90L	140	125	56	24	50	8	20	90	10	115	95	140	0	M8	3.0	165	130	200	0	12	3.5	180	185	145	270	360				
100L	160	140	63	28	60	8	24	100	12	-	-	-	-	-	215	180	250	0	15	4.0	205	215	170	280	380					